



Scan for full manual

WP-211T Quick Start Guide

This guide helps you install and use your **WP-211T** for the first time.

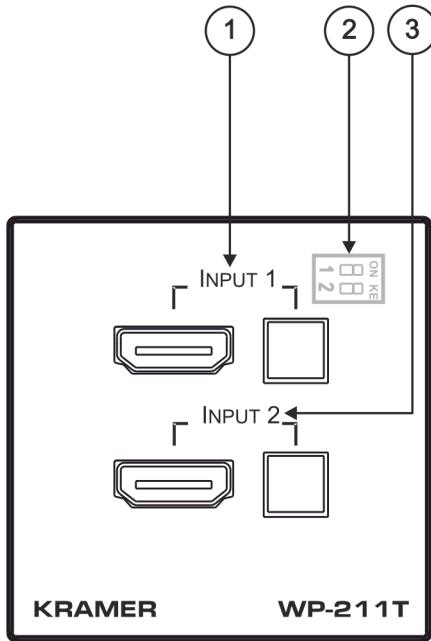
Go to www.kramerav.com/downloads/WP-211T to download the latest user manual and check if firmware upgrades are available.

Step 1: Check what's in the box

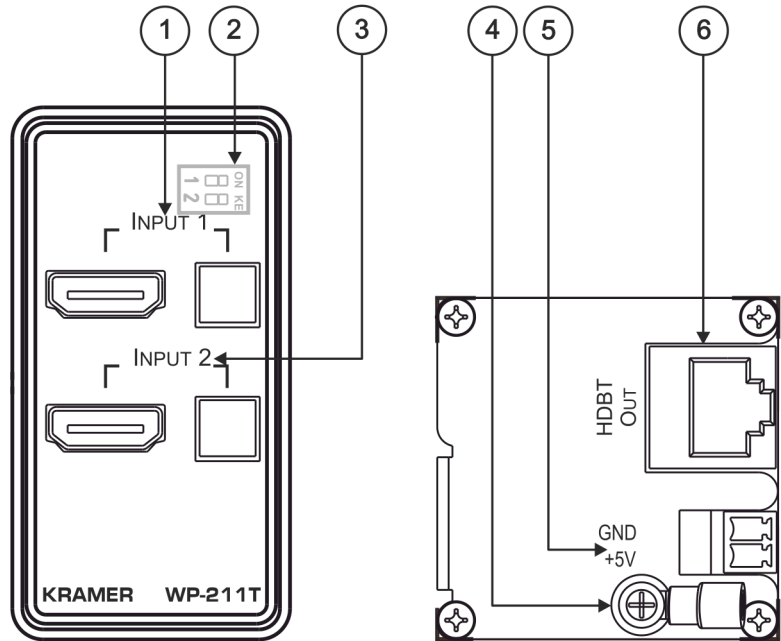
- ✓ **WP-211T** 1 Gang 4K60 4:2:0 2 HDMI to HDBaseT auto switcher
- ✓ 1 Power adapter and cord
- ✓ 1 Quick start guide

Step 2: Get to know your WP-211T

EU/UK Version



US Version



| # | Feature | Function |
|---|-----------------------------|---|
| 1 | INPUT 1 HDMI Connector | Connect to an HDMI source to route to HDBT OUT. |
| | Button | Press momentarily to manually select HDMI 1 (button lights orange). |
| 2 | Operation Mode DIP-switches | By-default the DIP-switches are both set to OFF (left) DIP-switch 1 OFF (left) - Last connected mode; ON (right) - Priority mode according to DIP-switch 2 settings. DIP-switch 2 OFF (left) - INPUT 1 is the default priority; ON (right) INPUT 2 is the default priority. Controlling via the INPUT buttons overrides all DIP-switch settings and automatic switching until the manually selected source disconnects, becomes inactive or WP-211T is powered off. |

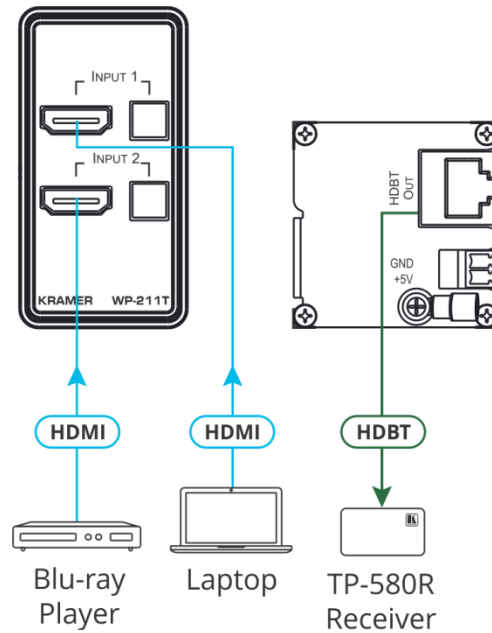


WP-211T DIP-switches are located behind the faceplate and should be set during installation, before placing the faceplate. Pressing an input button manually selects that input, independent of the DIP-switch settings.

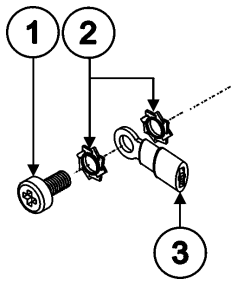
| | | | |
|---|--|---|---|
| 3 | INPUT 2 | HDMI Connector | Connect to an HDMI Source to route to HDBT OUT. |
| | | Button | Press momentarily to manually select HDMI 2 (button lights orange). |
| 4 | Grounding Screw | Connect to the common ground (optional) to prevent static electricity from impacting the performance of the unit. | |
| 5 | GND 5V DC 2-pin Terminal Block Connector | Connect to the supplied power adapter. Not needed on the WP-211T if there is a PoE provider over HDBaseT. | |
| 6 | HDBT OUT RJ-45 Connector | Connect to an HDBaseT receiver (for example, TP-580R). | |

Step 3: Connect the inputs and outputs

Always switch OFF the power on each device before connecting it to your **WP-211T**. For best results, we recommend that you always use Kramer high-performance cables to connect AV equipment to the **WP-211T**.



Grounding the WP-211T



| # | Component Description |
|---|--------------------------|
| 1 | M3X6 screw |
| 2 | 1/8" Toothed Lock Washer |
| 3 | M3 Ring Tongue Terminal |

To ground the WP-211T:

1. Connect the ring tongue terminal to the building grounding point wire (it is recommended to use a green-yellow AWG#18 (0.82mm) wire, crimped with a proper hand-tool).
2. Insert the M3x6 screw through the toothed lock washers and the tongue terminal in the order shown above.
3. Insert the M3x6 screw (with the two toothed lock washers and ring tongue terminal) into the grounding screw hole and tighten the screw.

Step 4: Connect the power

If the device is not powered via HDBT PoE, connect the 5V DC power adapter to the **WP-211T** and plug the adapter into the mains.

Safety Instructions



- Caution:** There are no operator serviceable parts inside the unit.
- Warning:** Use only the Kramer Electronics power supply that is provided with the unit.
- Warning:** Disconnect the power and unplug the unit from the wall before installing.
- See www.KramerAV.com for updated safety information.