



Scan for full manual

TP-580RA Quick Start Guide

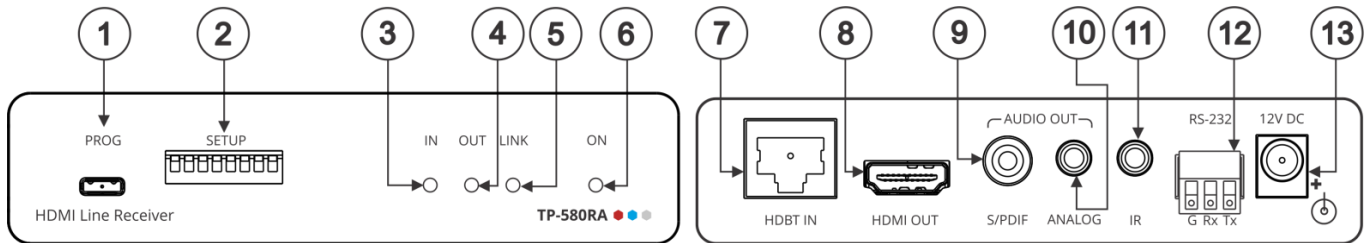
This guide helps you install and use your **TP-580RA** for the first time.

Go to www.kramerav.com/downloads/TP-580RA to download the latest user manual and check if firmware upgrades are available.

Step 1: Check what's in the box

- ✓ TP-580RA HDMI Line Receiver
- ✓ 1 Power adapter and cord
- ✓ 4 Rubber feet
- ✓ 1 Quick start guide

Step 2: Get to know your TP-580RA

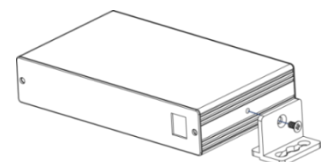


#	Feature	Function	
1	PROG Micro USB Port	Connect to a PC to perform firmware upgrades (via K-Upload) and work with the EDID Designer. K-Upload and EDID Designer can be downloaded from our Web site at: www.kramerav.com/support .	
2	SET UP DIP-switches	Used to set the device behavior.	
3	IN LED	Lights green when an active far-end source HDMI input signal is detected via the HDBaseT link (an HDMI signal is detected from a source device connected to the HDBaseT transmitter that is connected to this input).	
4	OUT LED	Lights green when a signal is detected on the HDMI output from an active device.	
5	LINK LED	Lights green when a link is established between the TP-580RA and the HDBaseT transmitter.	
6	ON LED	Lights green when the device receives power.	
7	HDBT IN RJ-45 Connector	Connect to the RJ-45 OUT connector on a transmitter (for example, TP-580T).	
8	HDMI OUT Connector	Connect to an HDMI acceptor.	
9	AUDIO OUT	S/PDIF RCA Connector	Connect to a digital stereo audio acceptor.
10		ANALOG 3.5mm Mini Jack	Connect to an analog unbalanced stereo audio acceptor.
11	IR 3.5mm Mini Jack Connector		Connect to an external infrared emitter / sensor.
12	RS-232 3-pin Terminal Block Connector		Connect to a controlled device (so that it can be controlled from a remote serial controller); connect to a laptop to upgrade the firmware or to a control system to serially control the TP-580RA .
13	12V DC Power Connector		12V DC connector for powering the unit.

Step 3: Install the TP-580RA

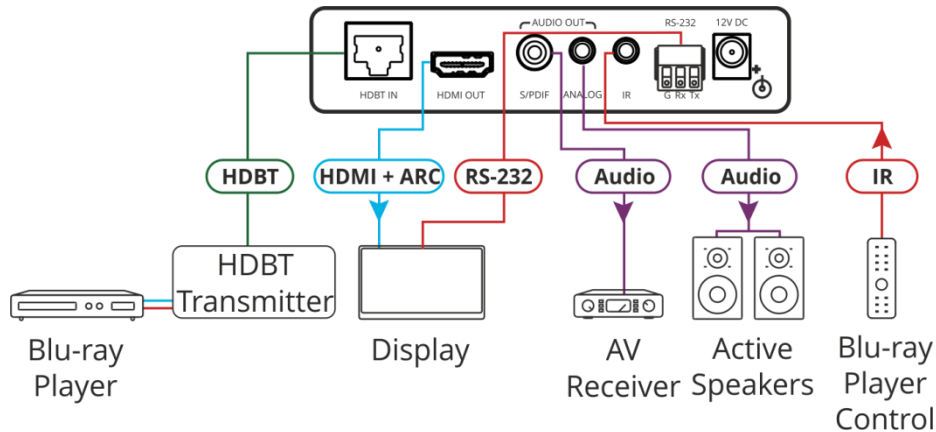
Install **TP-580RA** using one of the following methods:

- Attach the rubber feet and place the unit on a flat surface.
- Fasten a bracket (included) on each side of the unit and attach it to a flat surface. For more information go to www.kramerav.com/downloads/TP-580RA.
- Mount the unit in a rack using an optional **RK-3T** rack adapter.



Step 4: Connect the inputs and outputs

Always switch OFF the power on each device before connecting it to your **TP-580RA**. For best results, we recommend that you always use Kramer high-performance cables to connect AV equipment to the **TP-580RA**.



SETUP DIP-switches

A DIP-switch that is down is on, up is off (by default, DIP-switch 3 is set to ON and all the other DIP-switches are set to OFF). Changes to DIP-switches 7 and 8 only take effect after power-cycling the device. Changes to DIP-switches 1 and 3 only take effect after unplugging and then replugging the input cable.



#	Function	Status
1	EDID lock	Off (up) – EDID parameters are passed-through. On (down) – EDID Locked. When EDID is locked, the audio parameters are set as defined by DIP-switch 3. In the pass-through mode, DIP-switch 3 setup is ignored.
2	Extracted audio	Off (up) – HDBT IN source audio is selected for extraction. On (down) – HDMI OUT ARC sink audio is selected for extraction.
3	Audio pass-through	Off (up) – Passes the audio parameters. On (down) – Limits the audio to 2-channel LPCM. This setup is enabled after unlocking and relocking the EDID by setting DIP-switch 1 to On (EDID locked).
4	HDCP operation	Off (up) – Passes HDCP. In this state, if the sink supports HDCP, the input declares HDCP support. It will then handle HDCP on the output and input actively. If the sink does not support HDCP then the input will declare HDCP is not supported. On (down) – HDCP off. In this state, the device does not support HDCP on its input, even if HDCP is detected on the output.
5	Color space	Off (up) – Color space parameters are passed-through. On (down) – Forces RGB color space.
6	RS-232 mode	Off (up) – RS-232 control of device; RS-232 extension mode is disabled. On (down) – RS-232 extension mode.
7	HDBT FW upgrade	Off (up) – Normal operation mode. On (down) – HDBT FW upgrade mode, device normal operation is disabled. This setup is enabled only after DIP-switch 6 is set to On (RS-232 extension mode).
8	CPU FW upgrade	Off (up) – Normal operation mode. On (down) – CPU FW upgrade mode, device normal operation is disabled; DIP-switch 6 is set to Off.

Step 5: Connect the power

Connect the power adapter to the **TP-580RA** and plug the adapter into the mains electricity.

Safety Instructions



Caution: There are no operator serviceable parts inside the unit

Warning: Use only the Kramer Electronics power supply that is provided with the unit

Warning: Disconnect the power and unplug the unit from the wall before installing

See www.KramerAV.com for updated safety information.